

Bang & Olufsen

**Beovision
LX 4500/5500**

Type 39xx

**Beovision
LX 4500/5500
White/Grey Line**

**Beovision
L 4500/5500**

Type 39xx

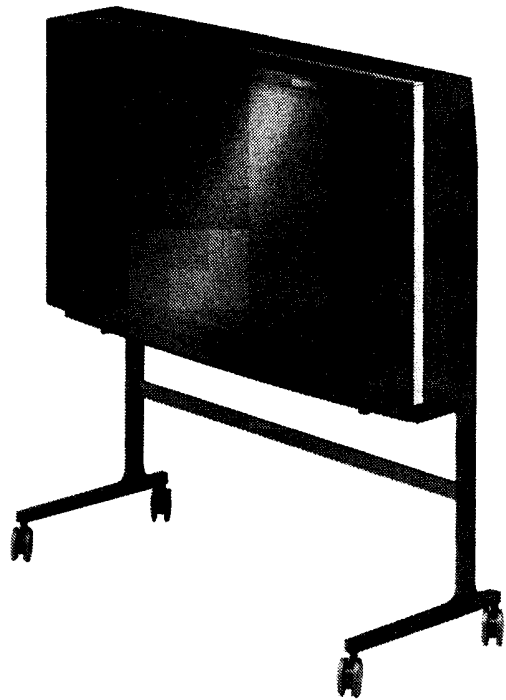
Beovision MX 3500

Type 316x/317x/318X

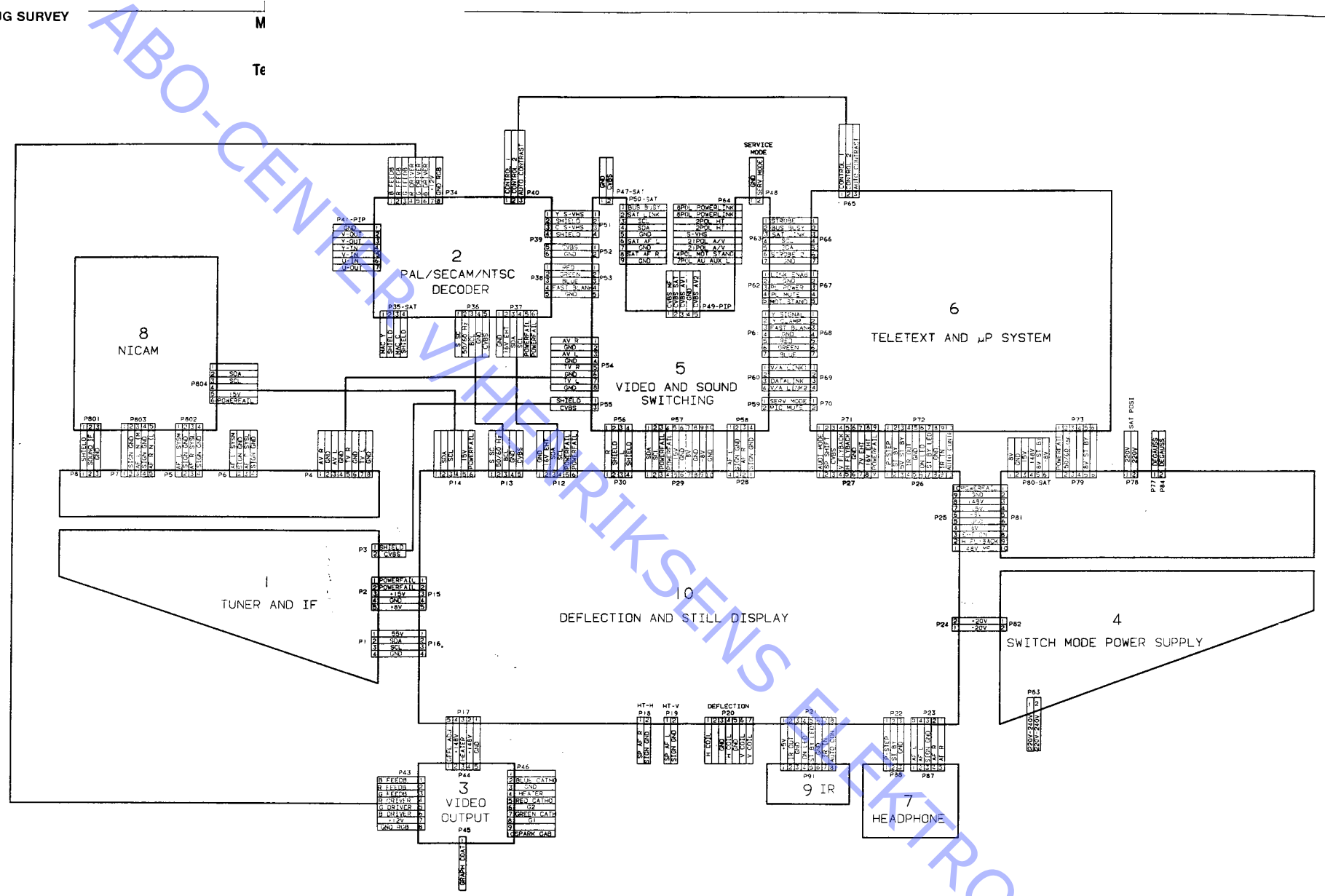
Beovision MX 5500

Type 326x/327x/328x

Picture-in-picture



PLUG SURVEY



TRANSPOSER

ABO-CENTER VILHJELMSSENS ELEKTRONIK

29 8003719
Transpose

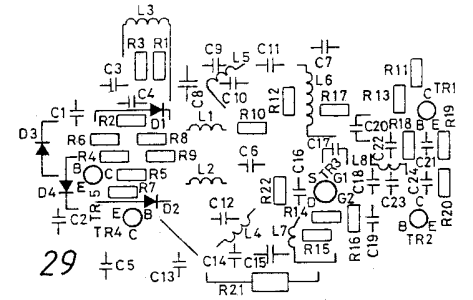
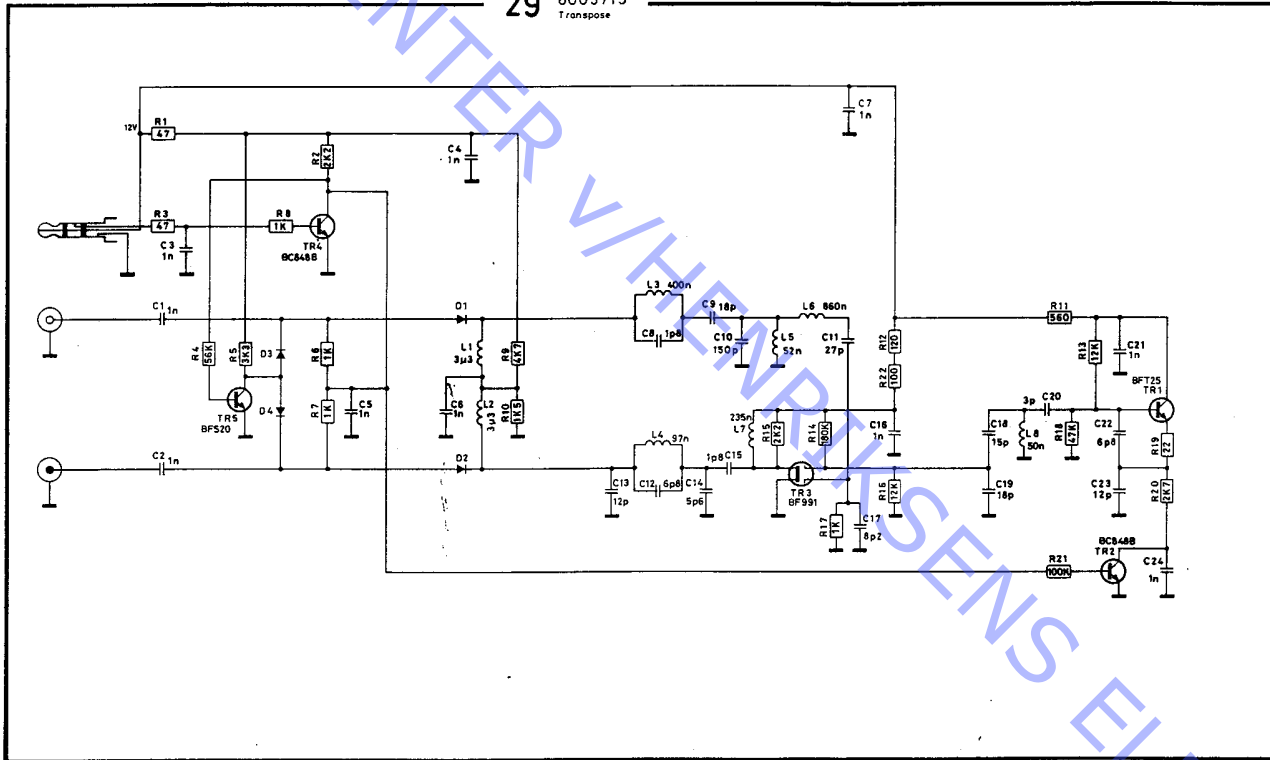


DIAGRAM A TUNER AND IF SYSTEM

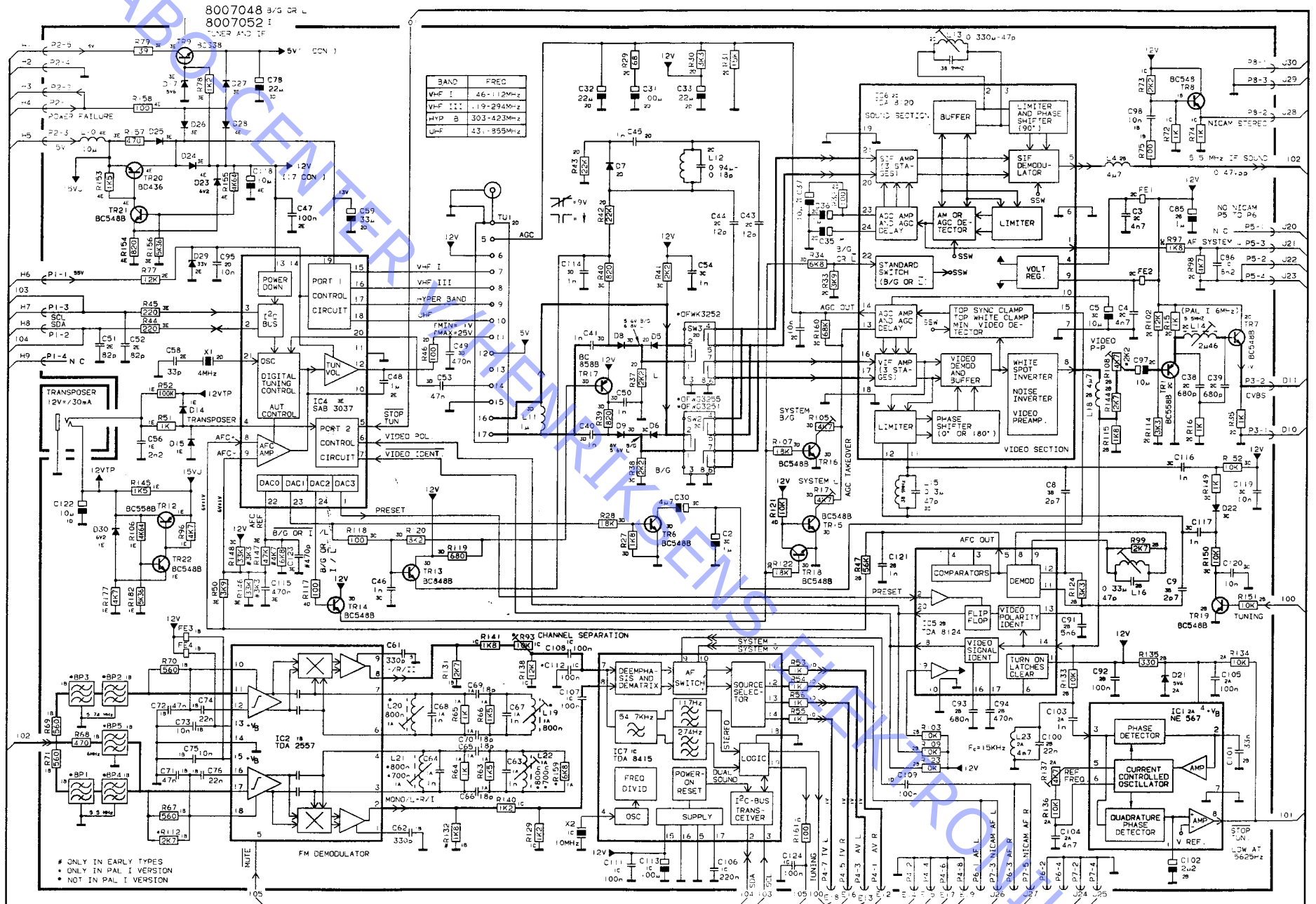


DIAGRAM B PAL/SECAM/NTSC DECODE

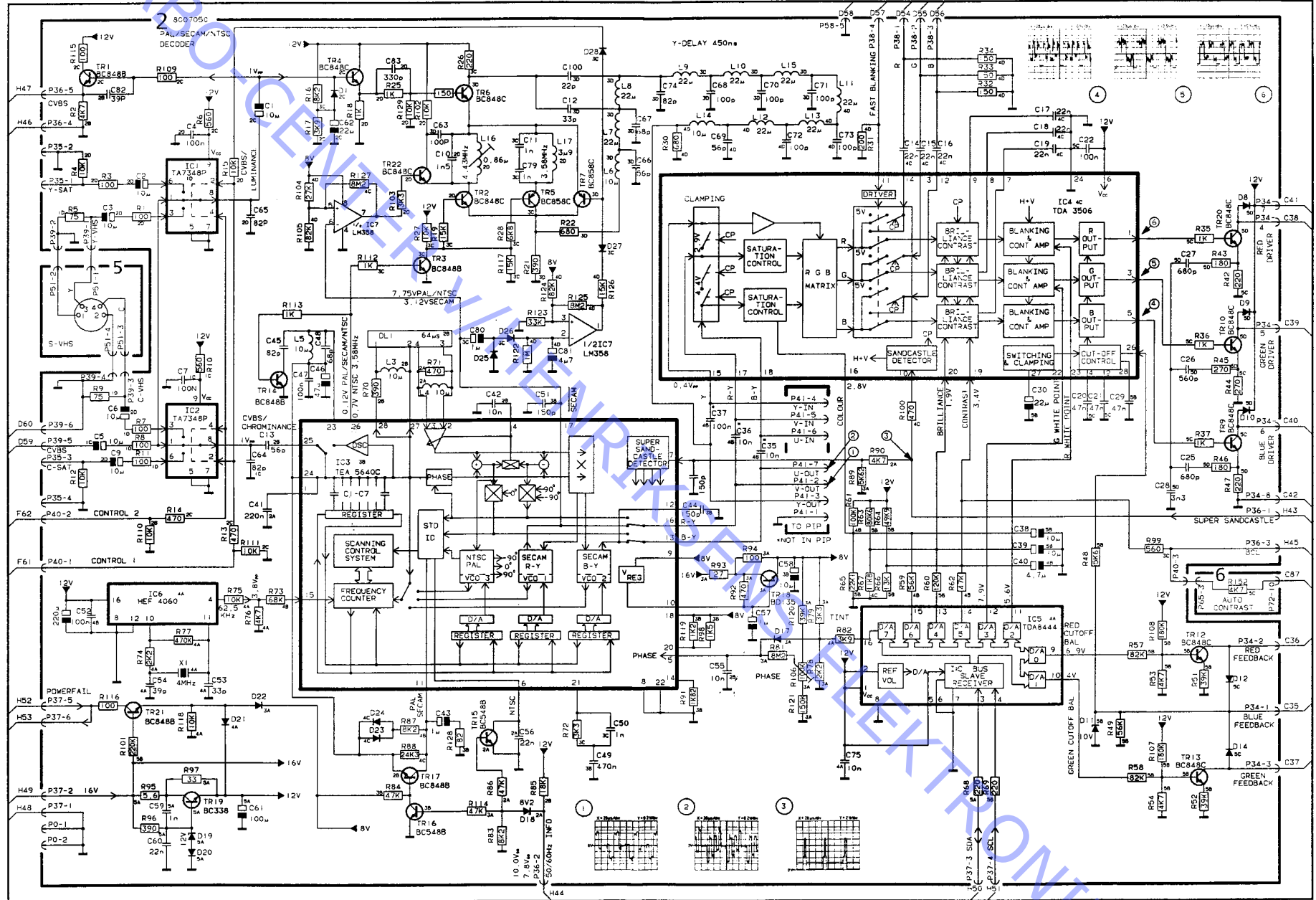
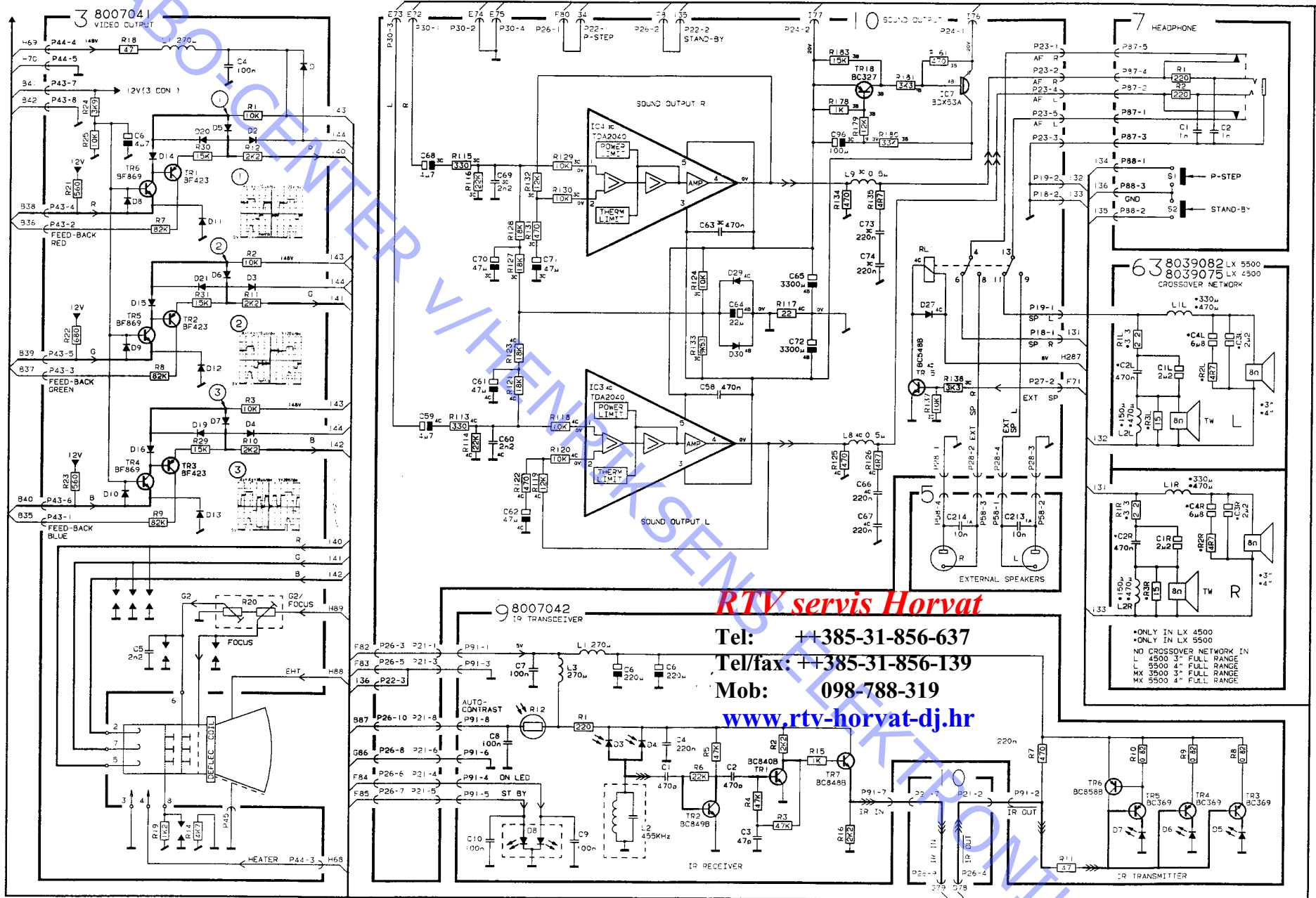


DIAGRAM C VIDEO OUTPUT, SOUND OUTPUT, IR TRANSCEIVER, HEADPHONE, CROSSOVER NETWORK



RTV servis Horvat

Tel: ++385-31-856-637

Tel/fax: ++385-31-856-139

Mob: 098-788-319

www.rtv-horvat-dj.hr

8039082 LX 5500
8039075 LX 4500
CROSSOVER NETWORK

• ONLY IN LX 4500
• ONLY IN LX 5500
NO CROSSOVER NETWORK IN
L 4500 3" FULL RANGE
L 5500 4" FULL RANGE
MX 5500 3" FULL RANGE
MX 5500 4" FULL RANGE

DIAGRAM D VIDEO SWITCHING

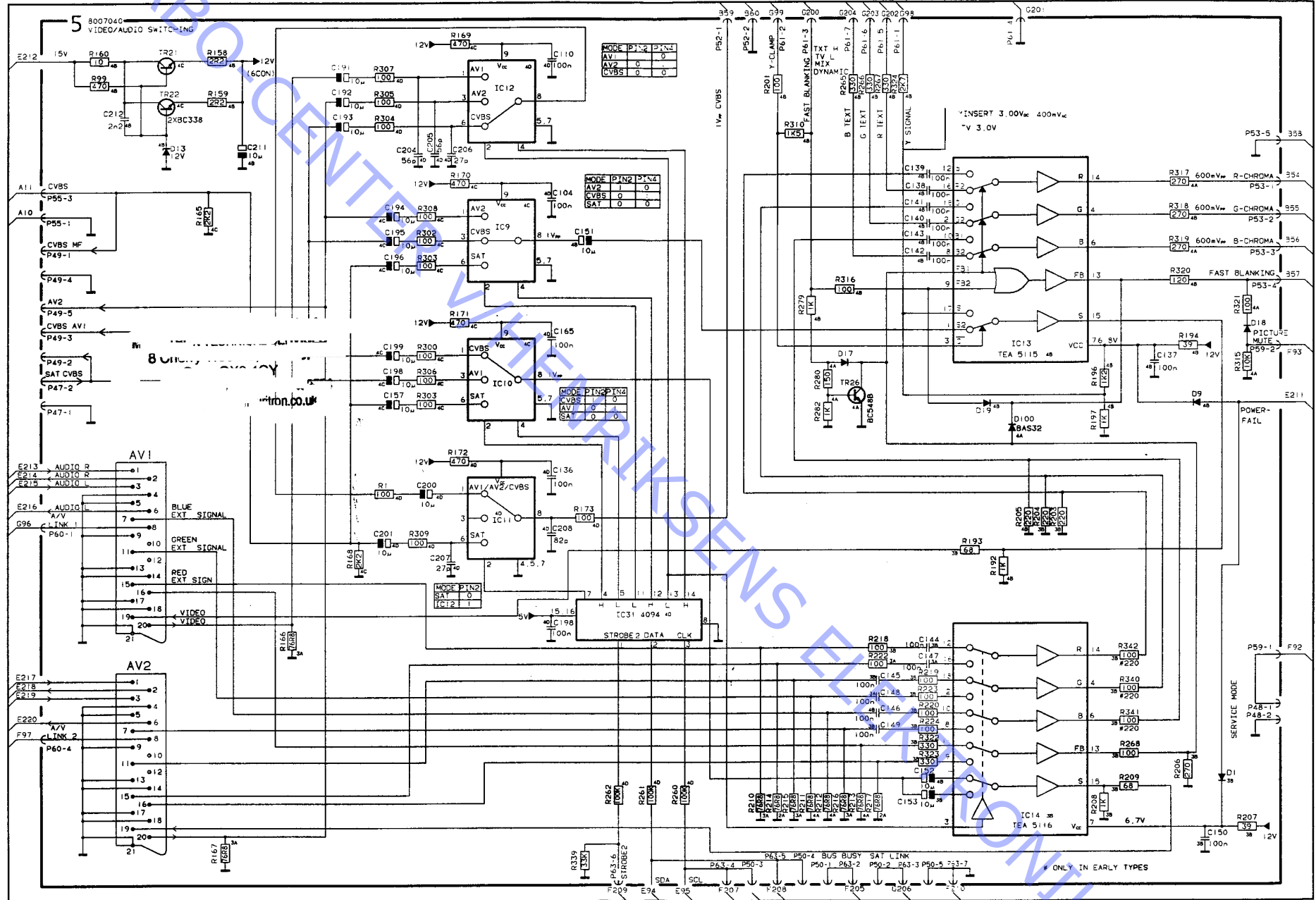


DIAGRAM E SOUND SWITCHING

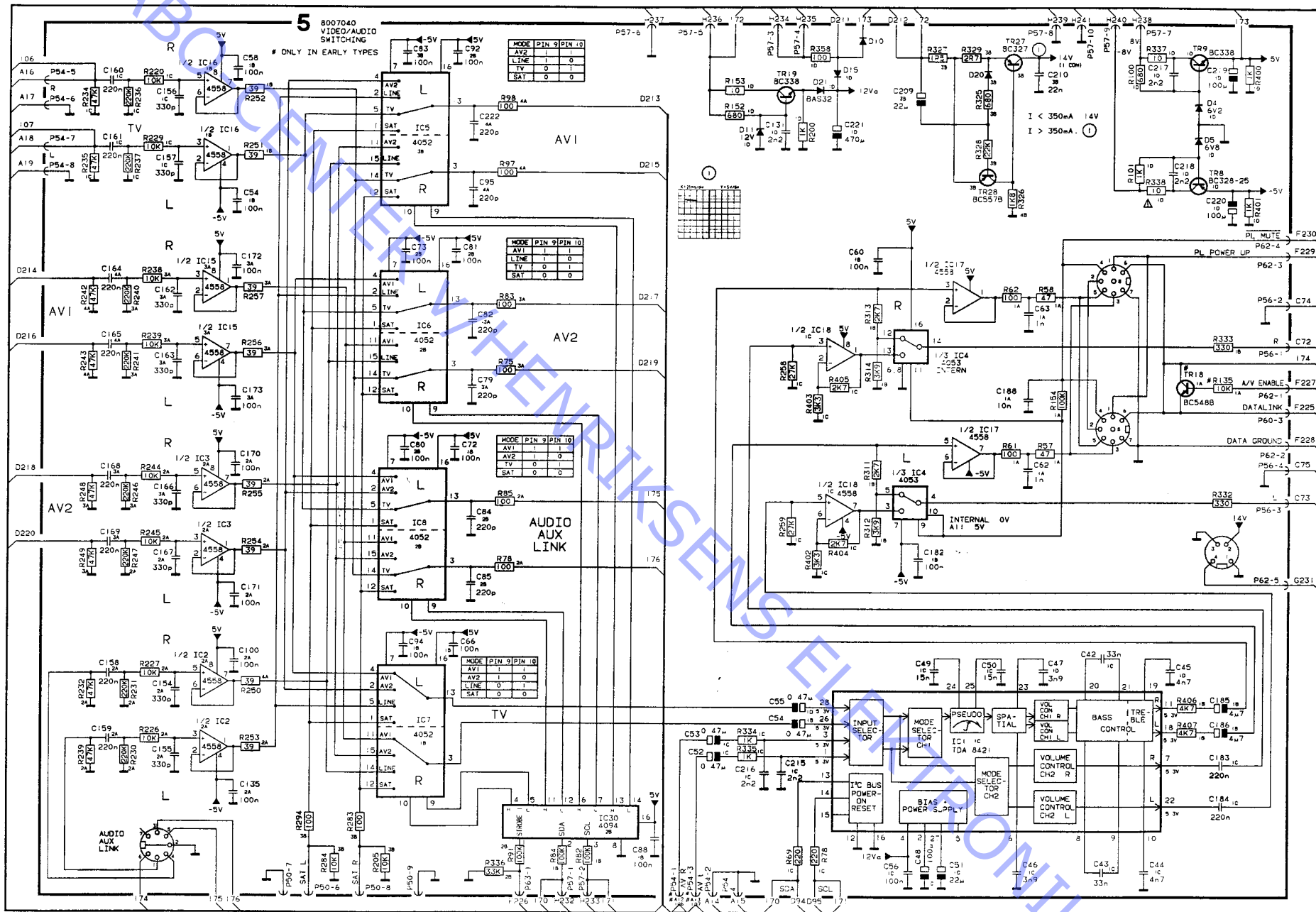


DIAGRAM F MICROCOMPUTER

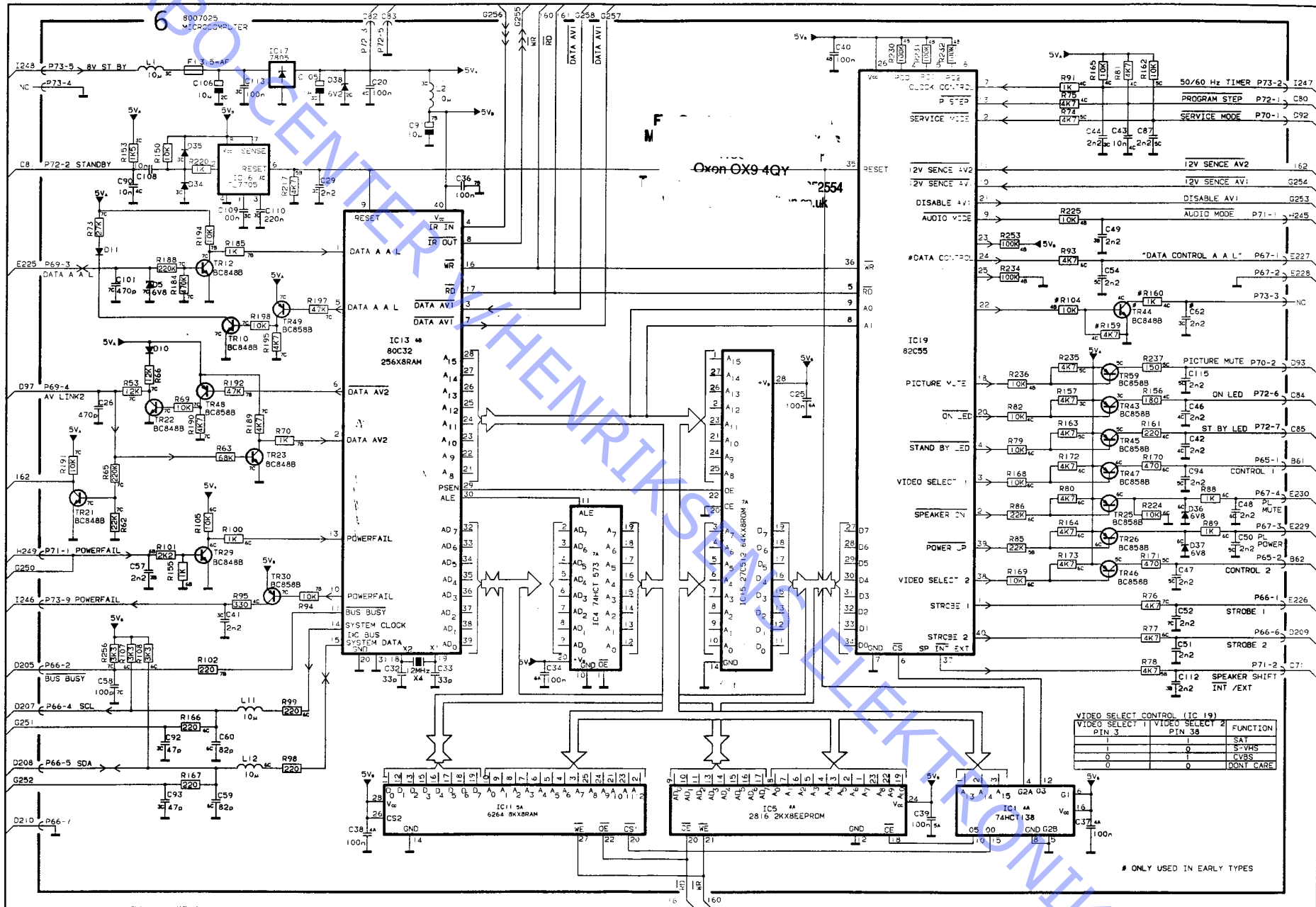


DIAGRAM G TEXTDECODER, IR RECEIVER, IR TRANSMITTER

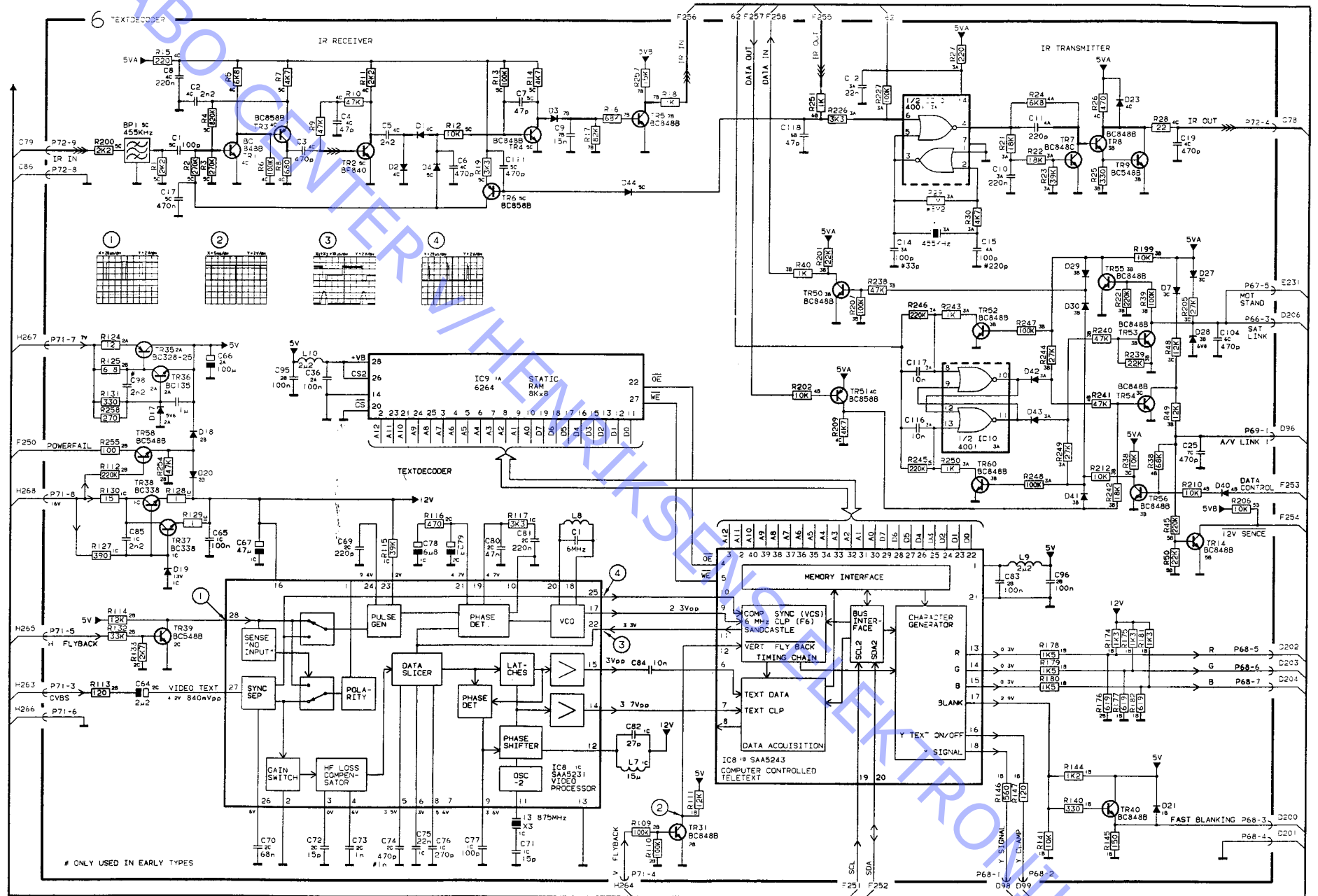


DIAGRAM H DEFLECTION AND STILL DISPLAY

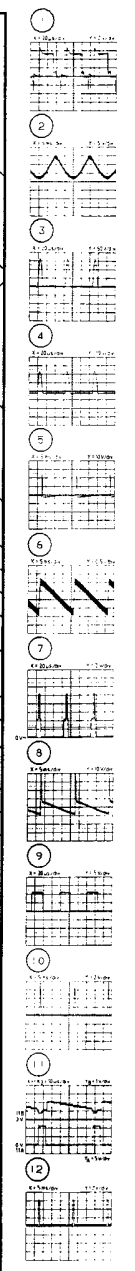
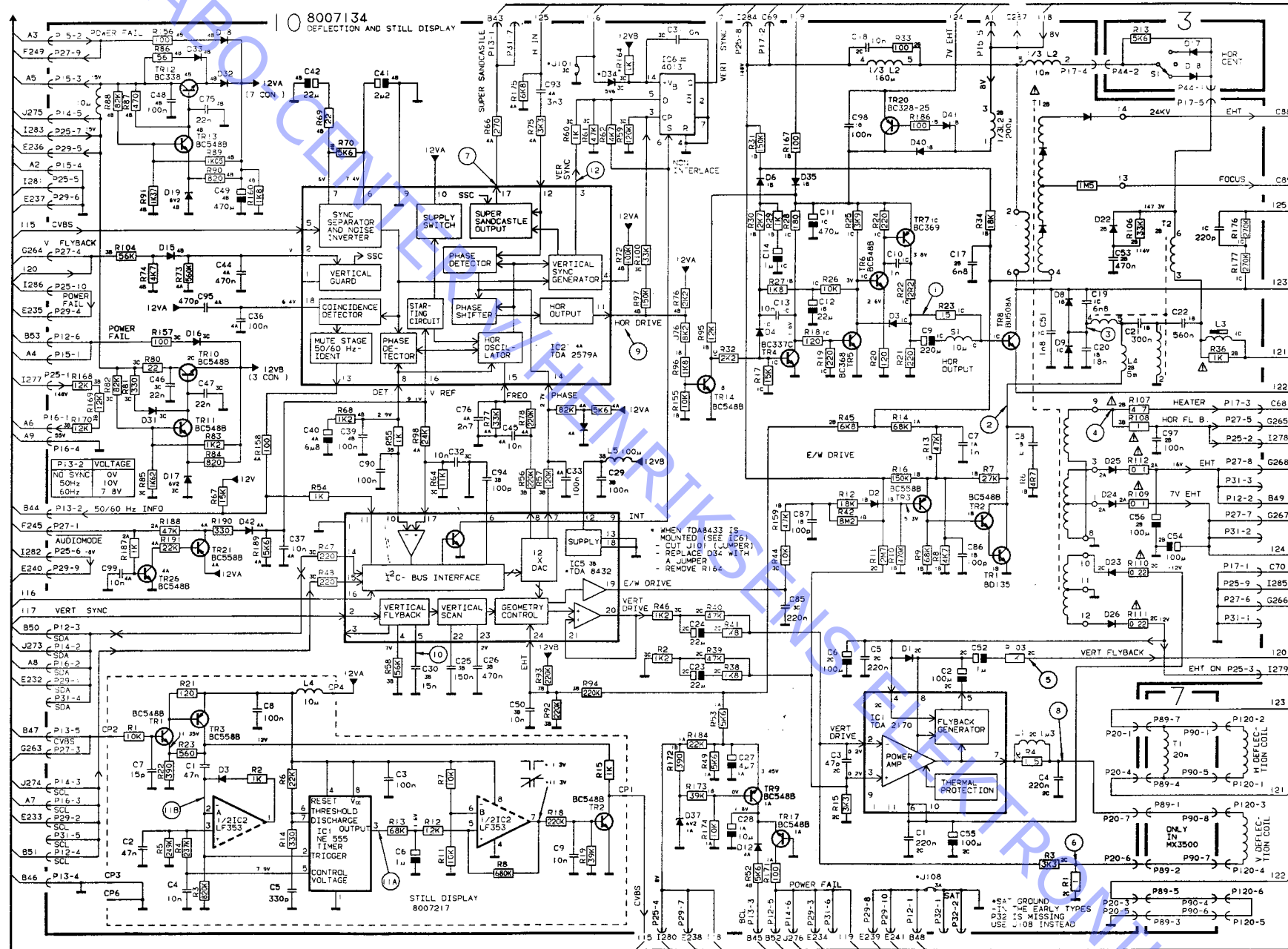
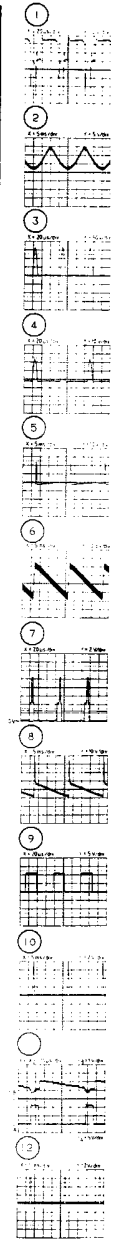
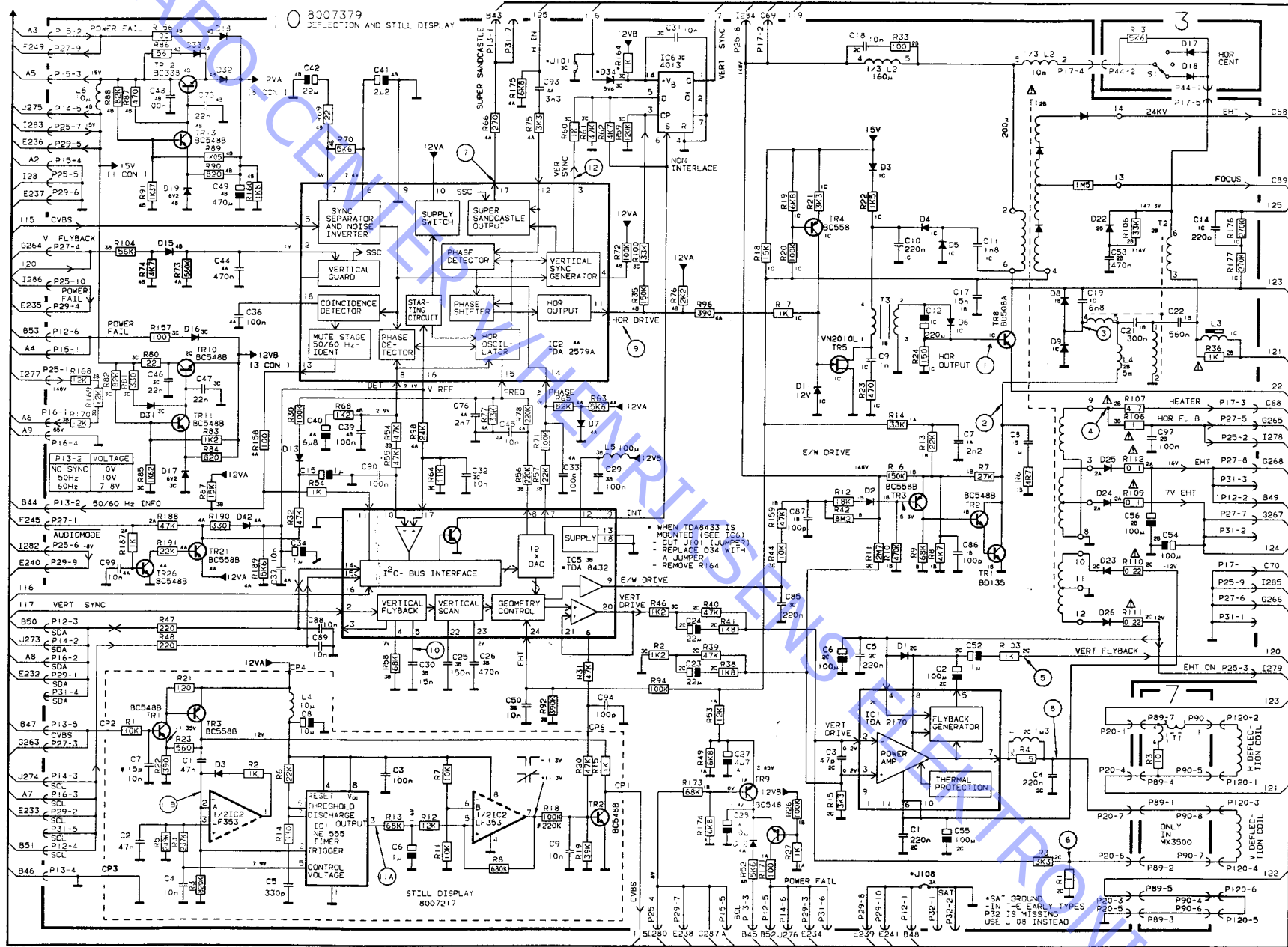


DIAGRAM H DEFLECTION AND STILL DISPLAY, PCB E VERSION



* SA² 3RD GROUND IN EARLY TYPES
 P12-2 USE P12-1 IF MISSING
 L13 MISSING USE L08 INSTEAD

WHEN TDA8433 IS MOUNTED (SEE PAGE 1) - CUT J101 (JUMPER) - REPLACE D34 WITH A JUMPER - REMOVE R164

DIAGRAM | SWITCH MODE POWER SUPPLY

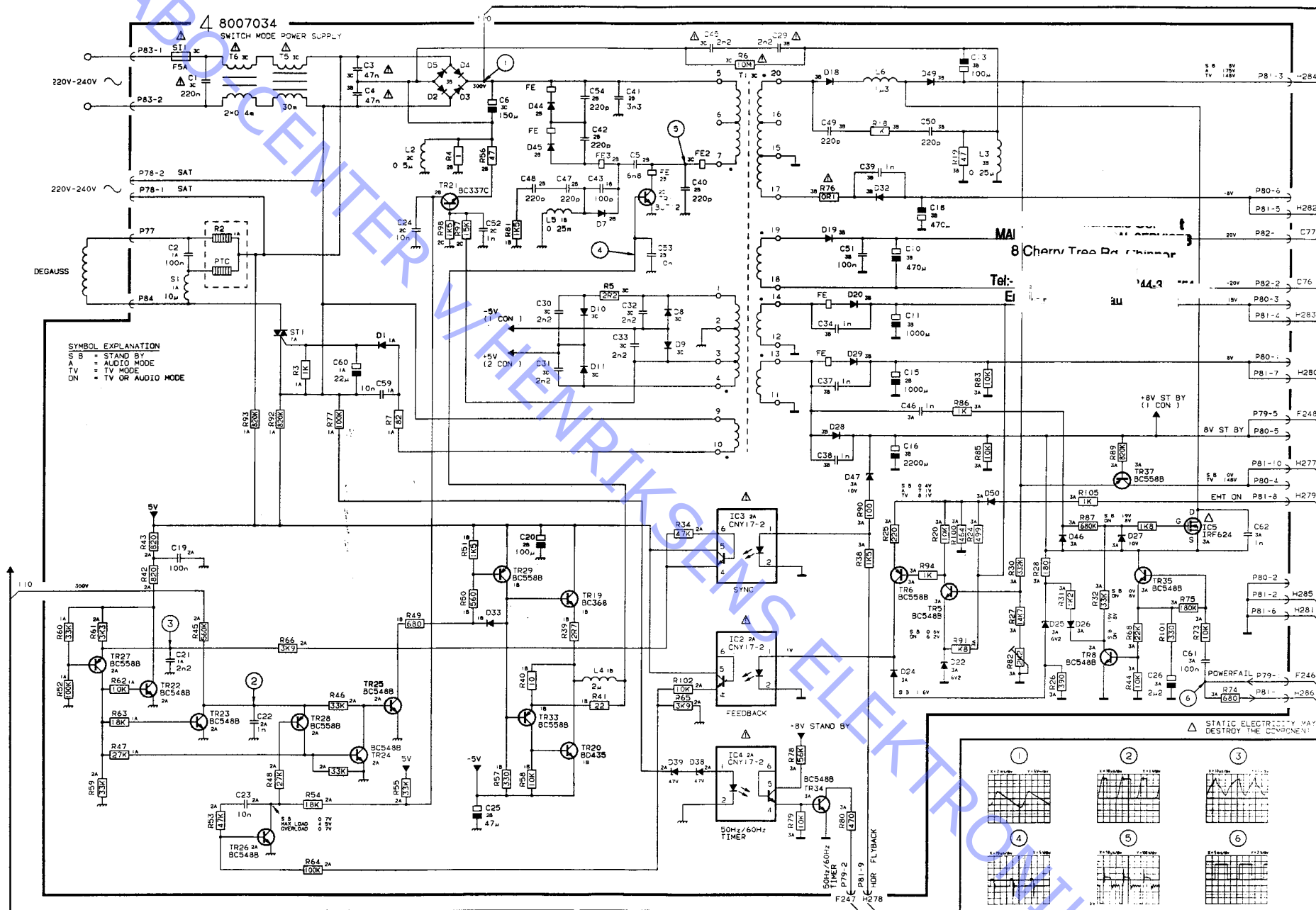


DIAGRAM I SWITCH MODE POWER SUPPLY, PCB G VERSION

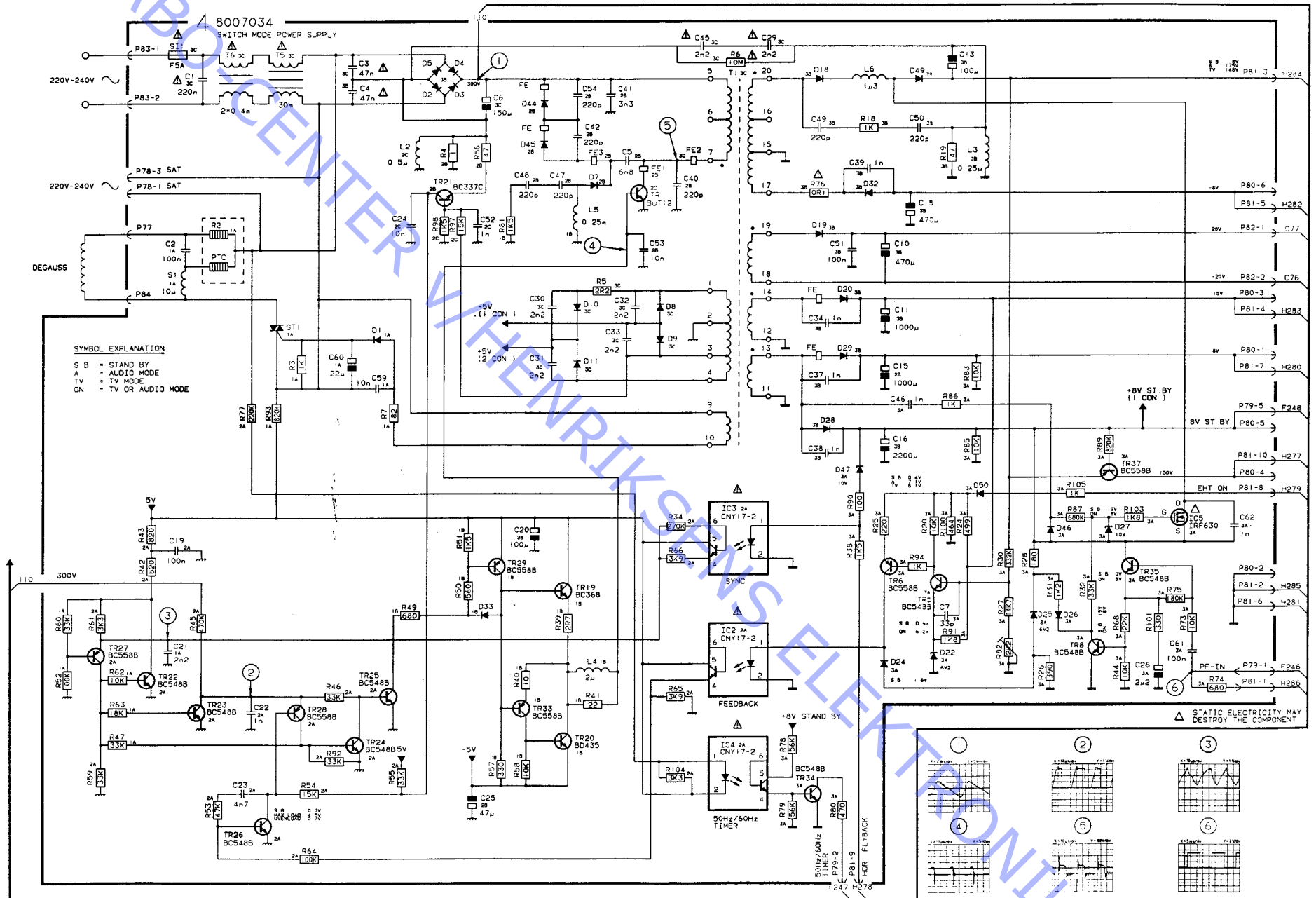
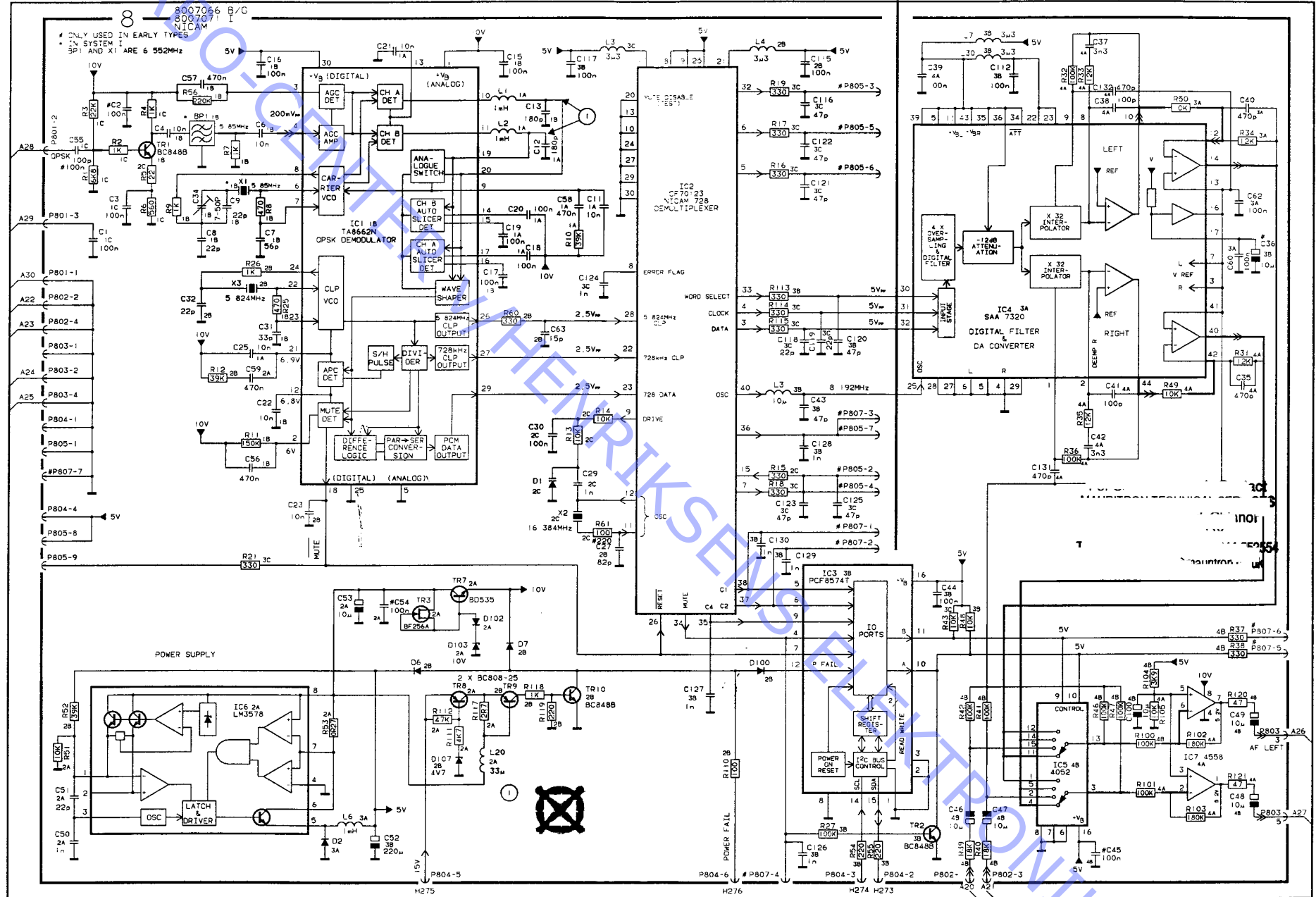


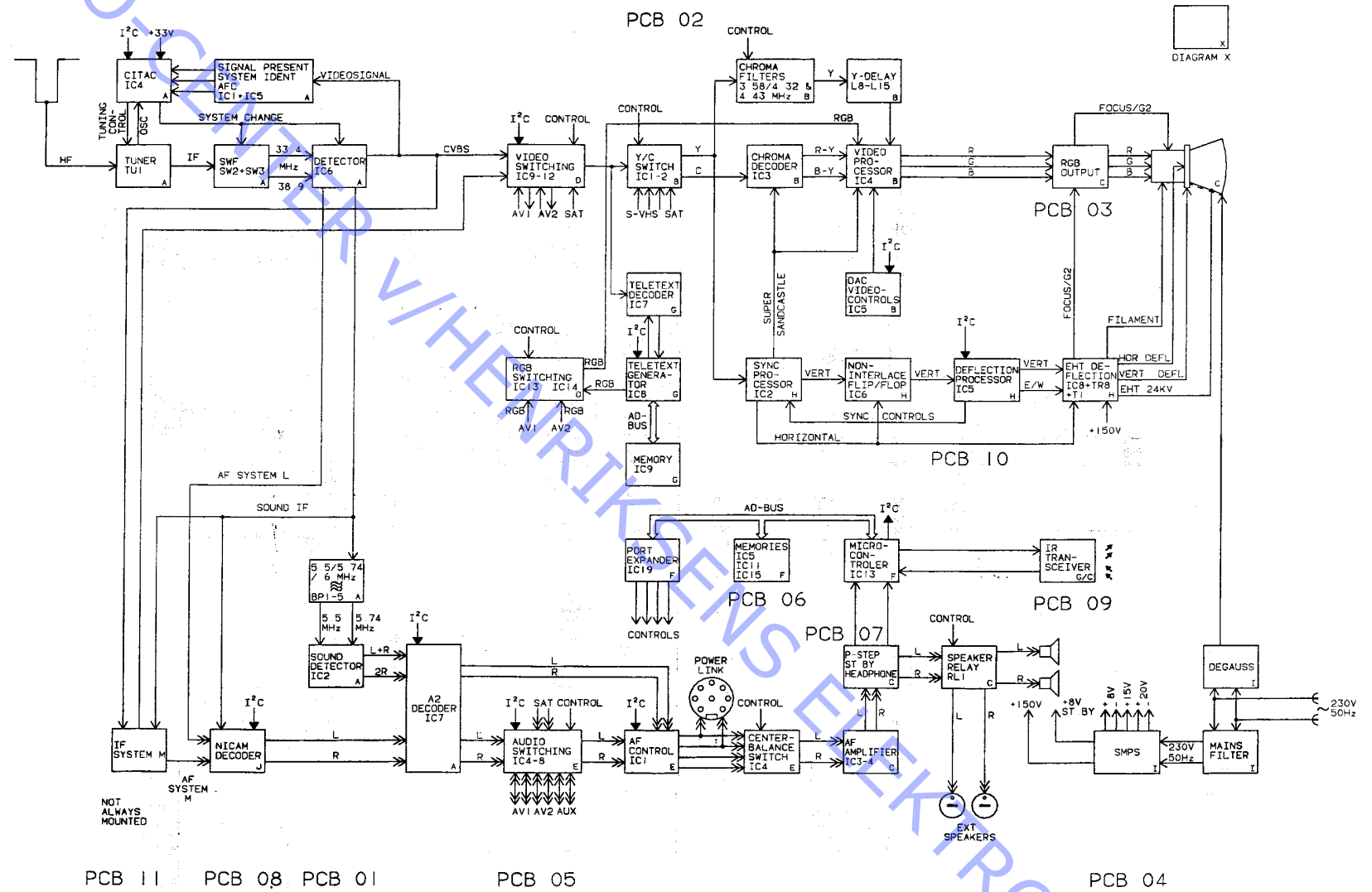
DIAGRAM J NICAM



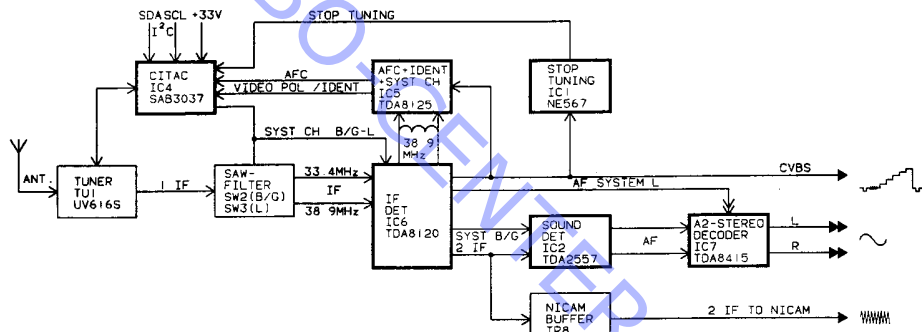
BLOCKDIAGRAM

S

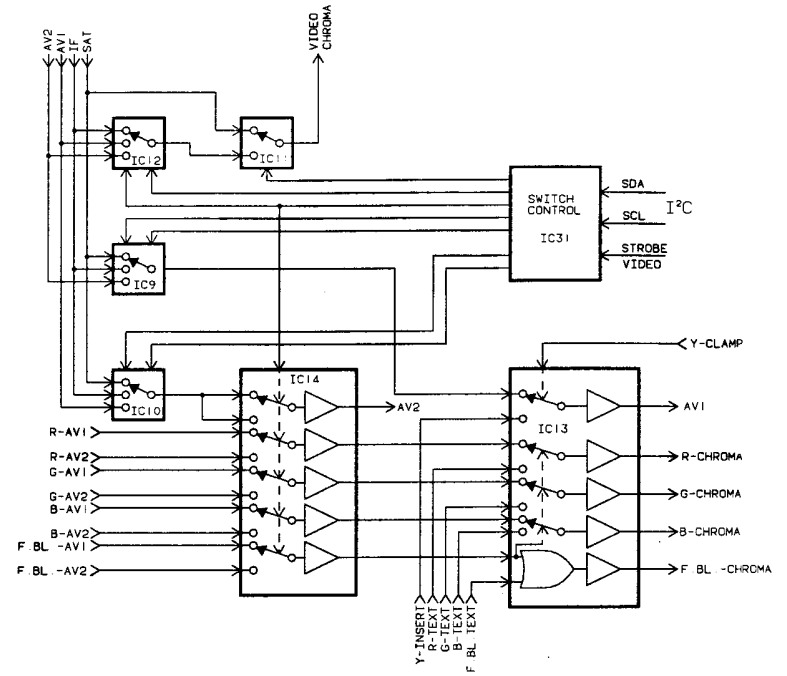
54



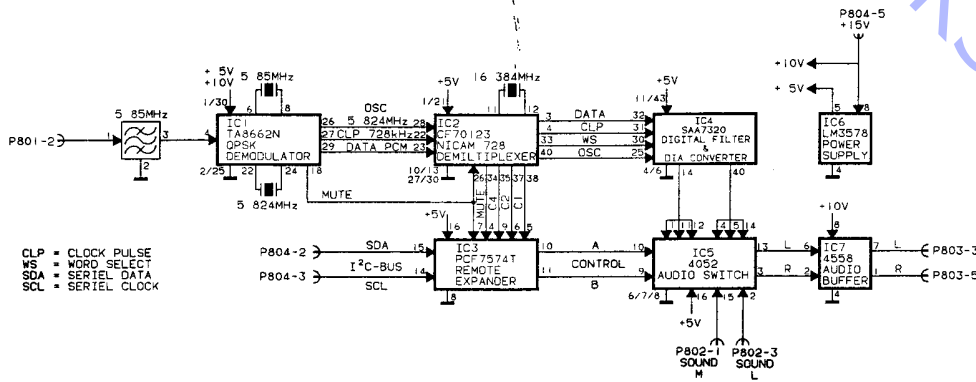
PCB1 TUNER AND IF



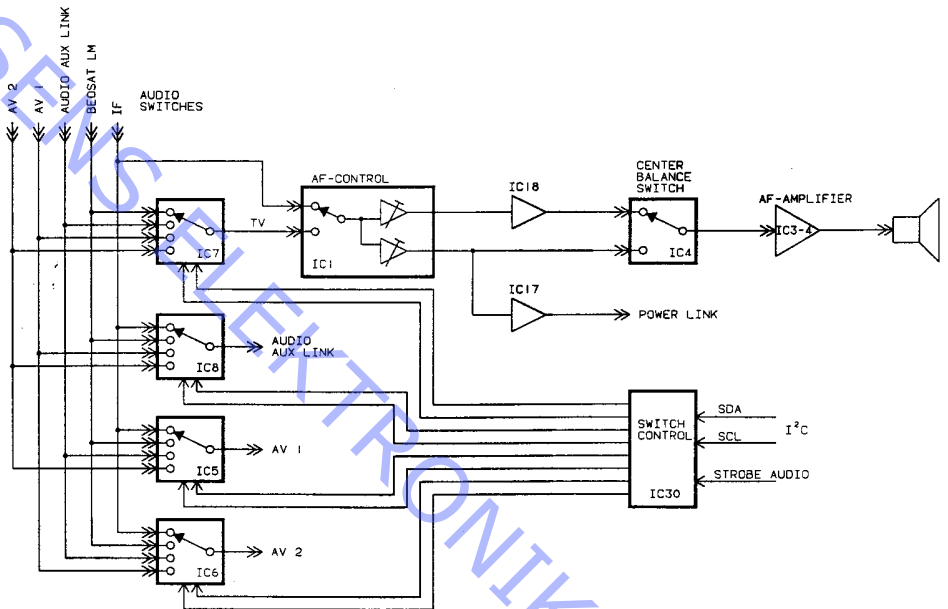
PCB5 VIDEO AND SOUND SWITCHING



PCB8 NICAM

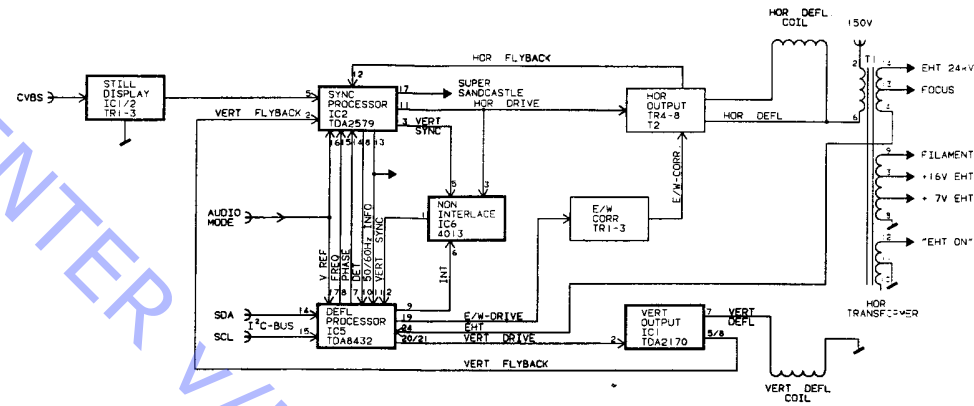


CLP = CLOCK PULSE
 WS = WORD SELECT
 SDA = SERIAL DATA
 SCL = SERIAL CLOCK

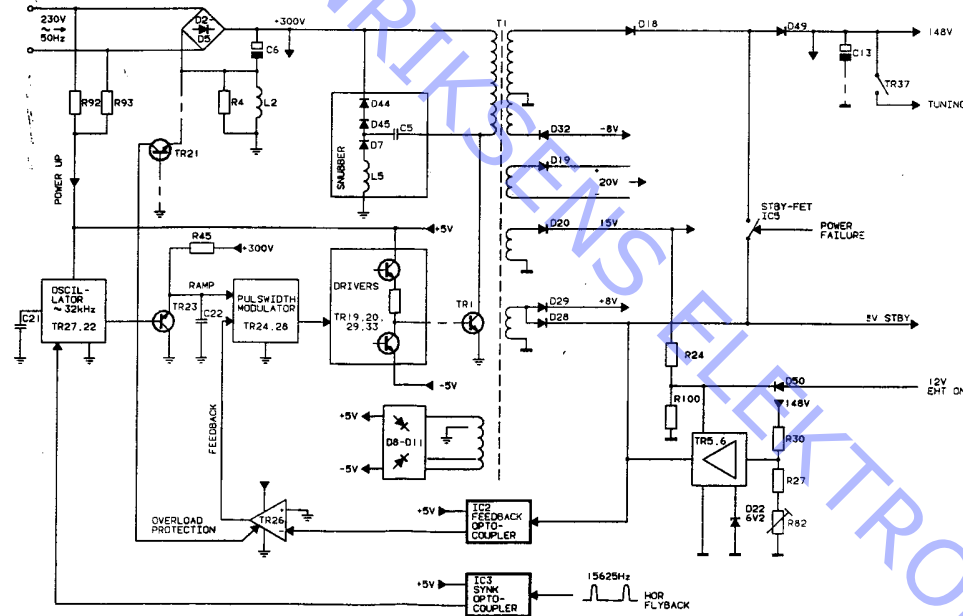


PCB10 DEFLECTION

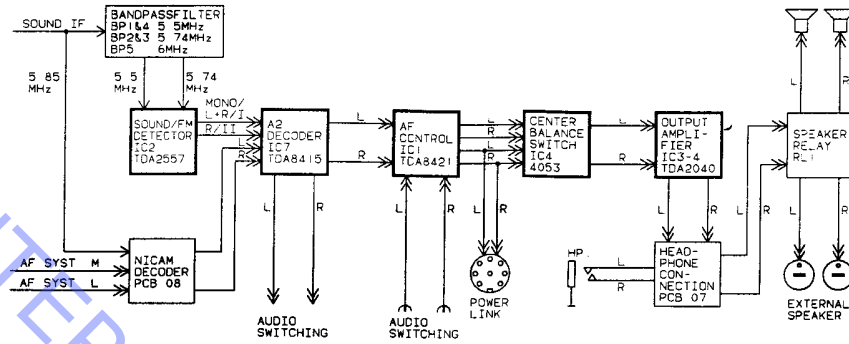
f
M
T₀



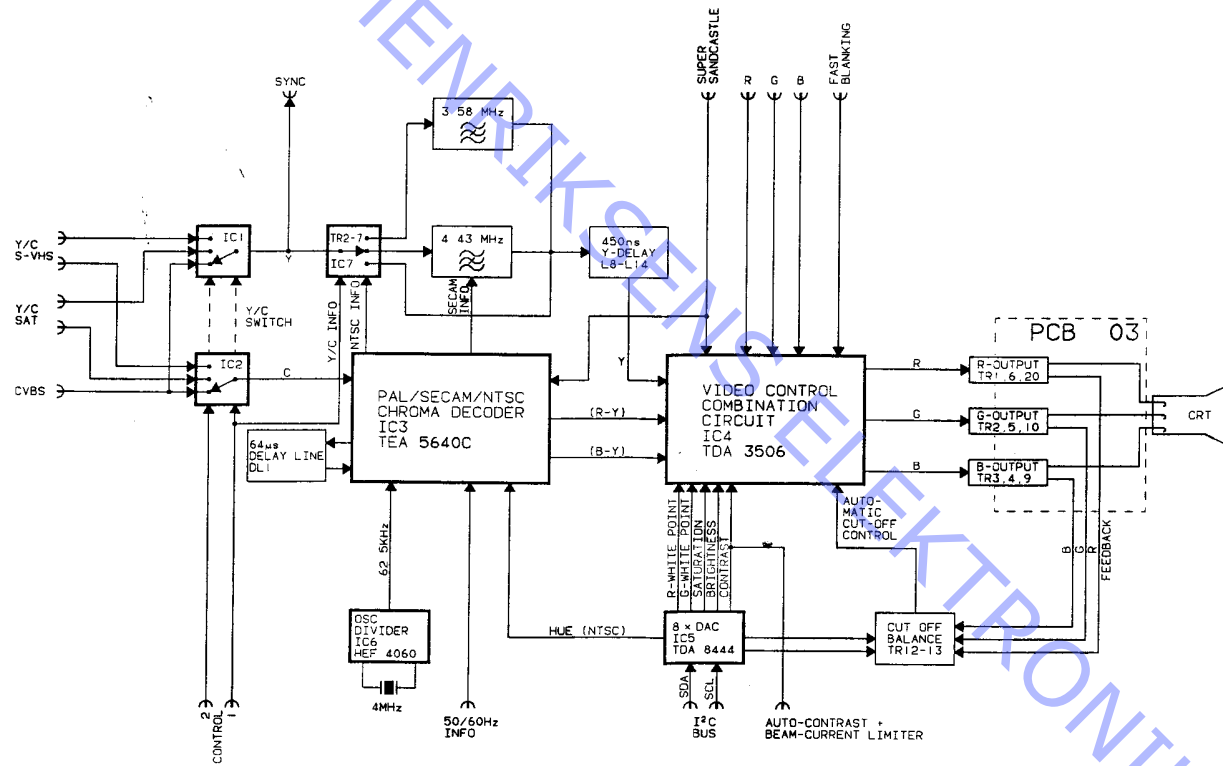
PCB4 SWITCH MODE POWER SUPPLY



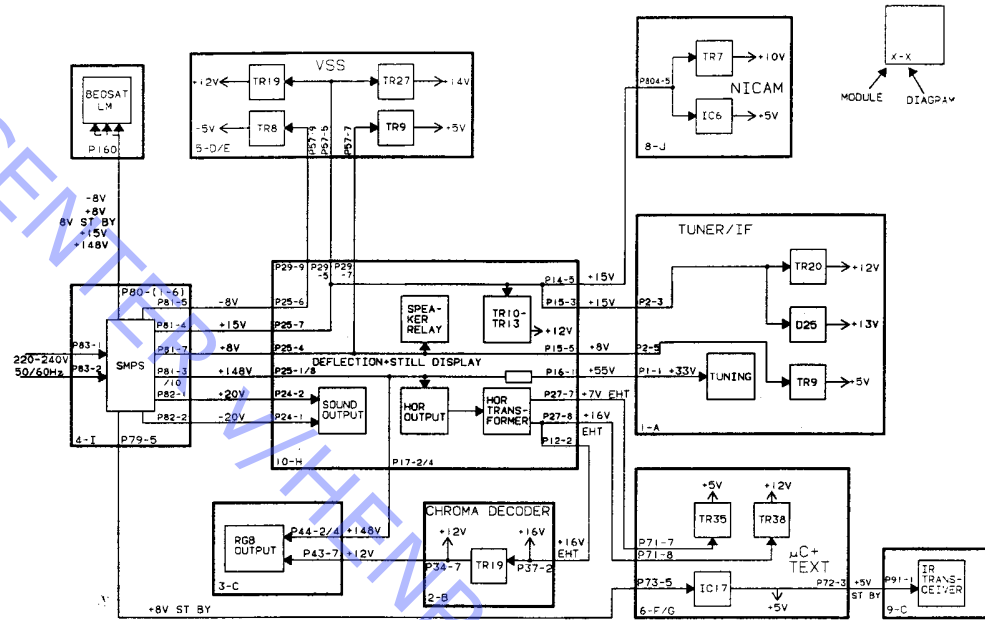
AUDIO SWITCHING



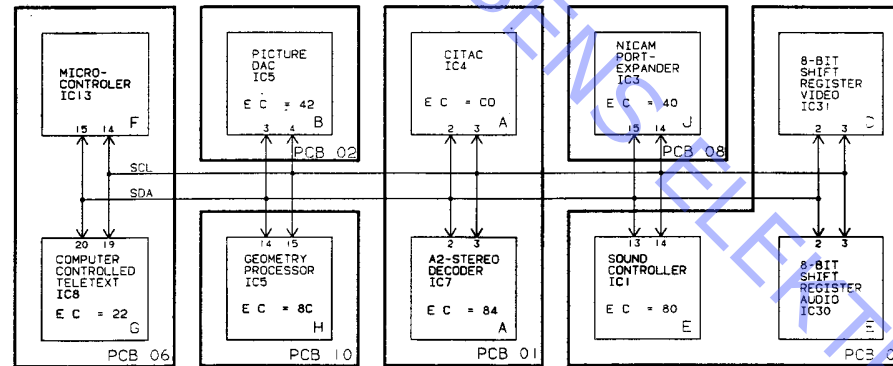
PCB2 PAL/SECAM/NTSC DECODER



SUPPLIES

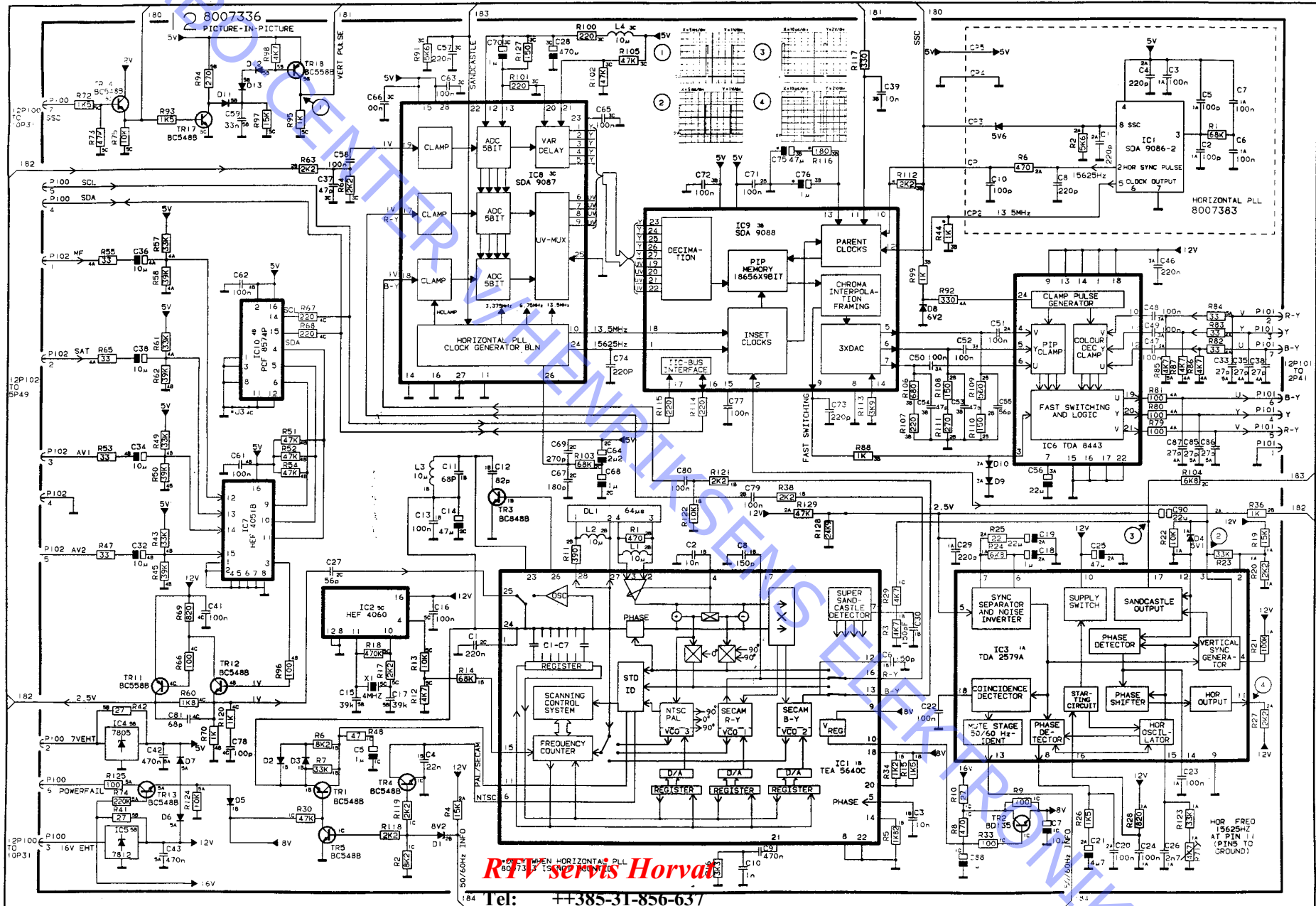


SYSTEM CONTROL



SDA = SYSTEM DATA
 SCL = SYSTEM CLOCK
 EC = ERROR CODE - IIC ADDRESS XX

DIAGRAM Picture-In-Picture



RTV servis Horvat

Tel: ++385-31-856-637

Tel/fax: ++385-31-856-139

Mob: 098-788-319

www.rtv-horvat-dj.hr