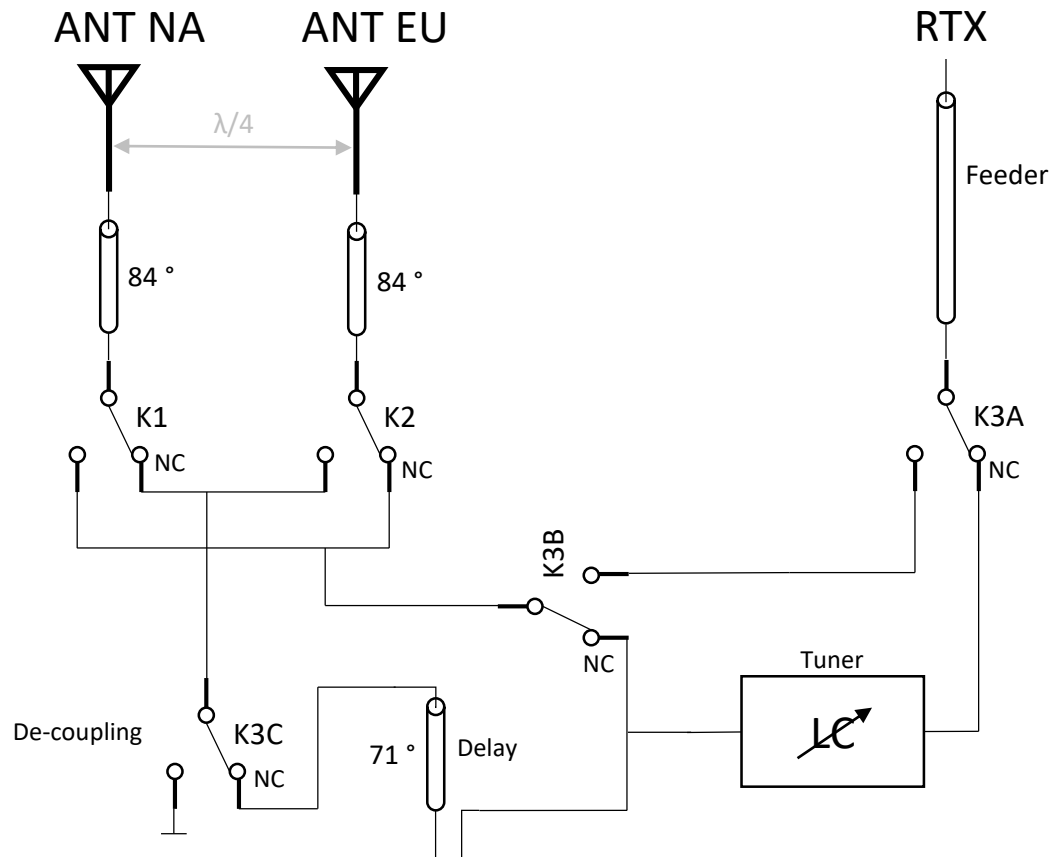


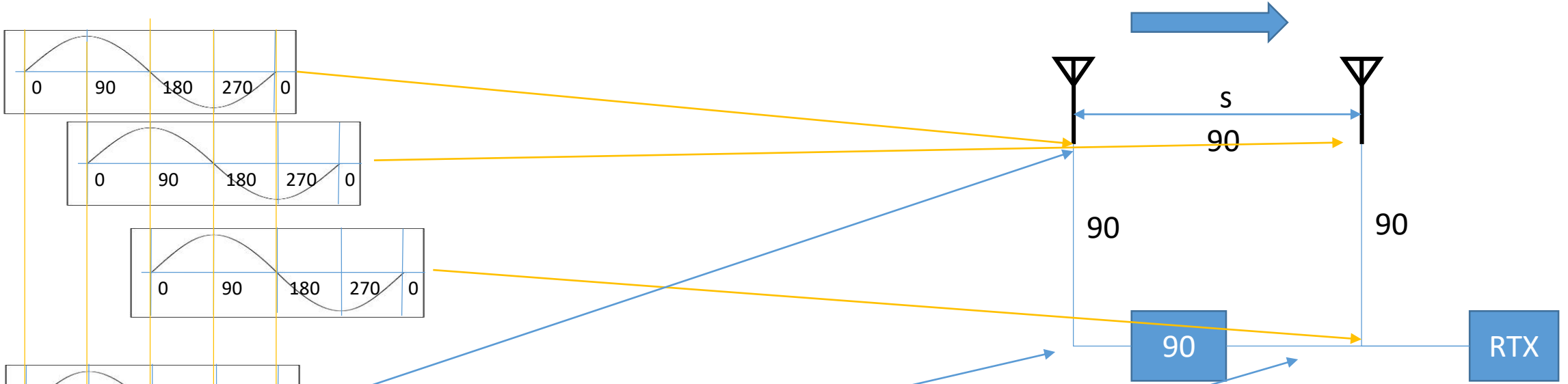
40m 2 el. vertical array

By OZ7AM 2021

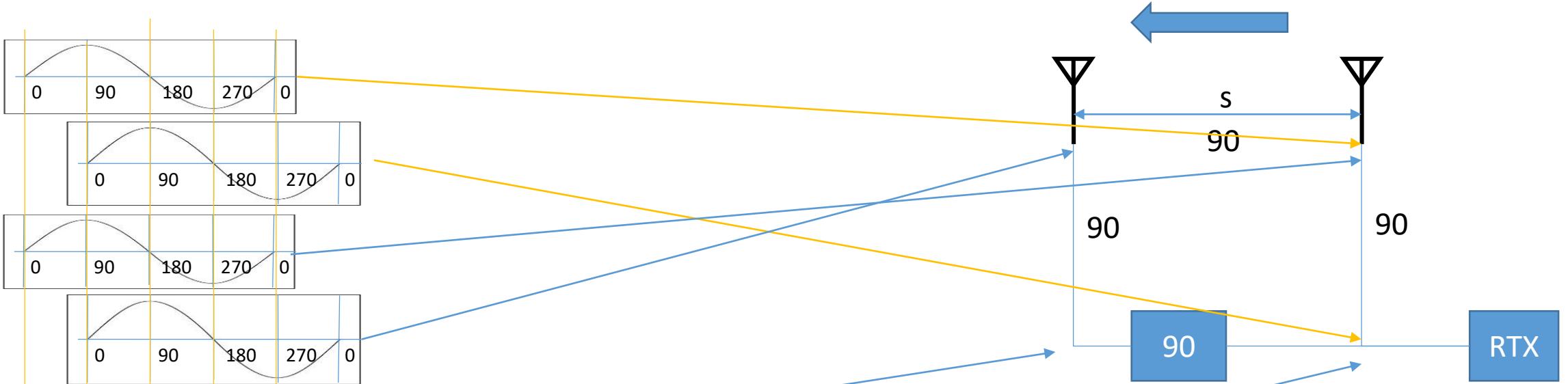


Christman feed system – see ON4UN

Pattern	K1	K2	K3
NA	0	0	0
EU	1	1	0
Broadside	1	0	1
Omni	0	0	1



(NC state all relays)
 Signals coming from NA will
 add in-phase at RTX



(NC state all relays)
 Signals coming from will
 phase out at RTX